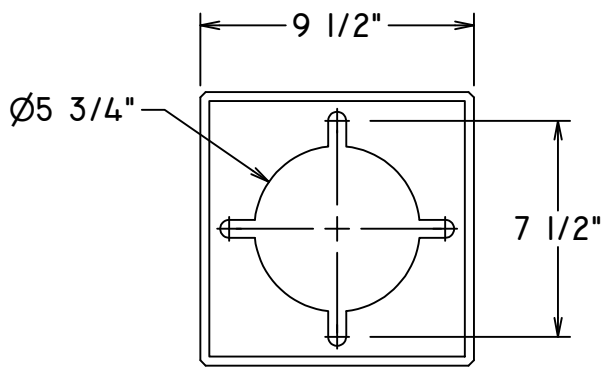




49 1/4"



ACCESS DOOR  
(REMOVABLE)

DATE: 6/26/2006	 company, inc medfield, ma		THIS DRAWING IN DESIGN AND DETAIL IS OUR PROPERTY AND MUST NOT BE USED EXCEPT IN CONNECTION WITH OUR WORK. ALL RIGHTS OF DESIGN OR INVENTION ARE RESERVED.	
DRAWN BY: DMC				
CHECKED BY:	SUBJECT: ETC Bollard (Howard Design)			
	DWG SIZE: A	DWG NO: A-10453-1		
PATH: M:\INVENTOR\DRAWINGS\B-10453.IDW				