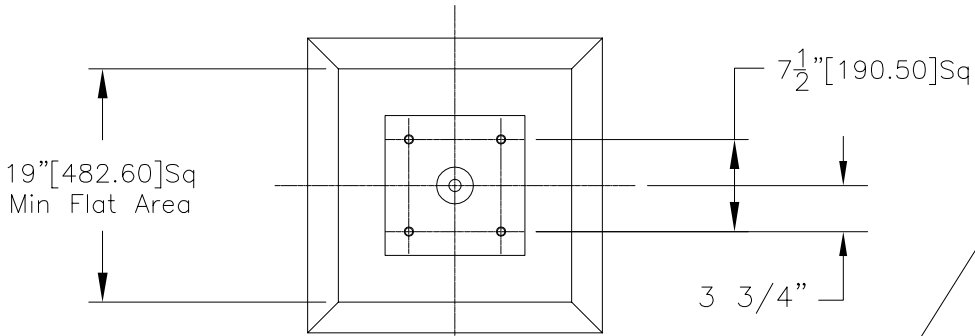


PLAN DETAIL

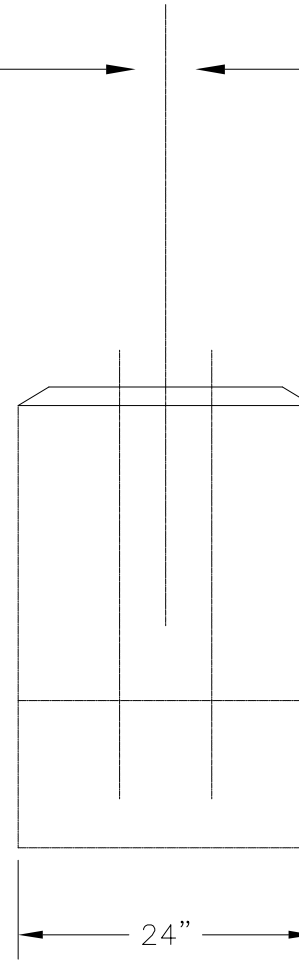
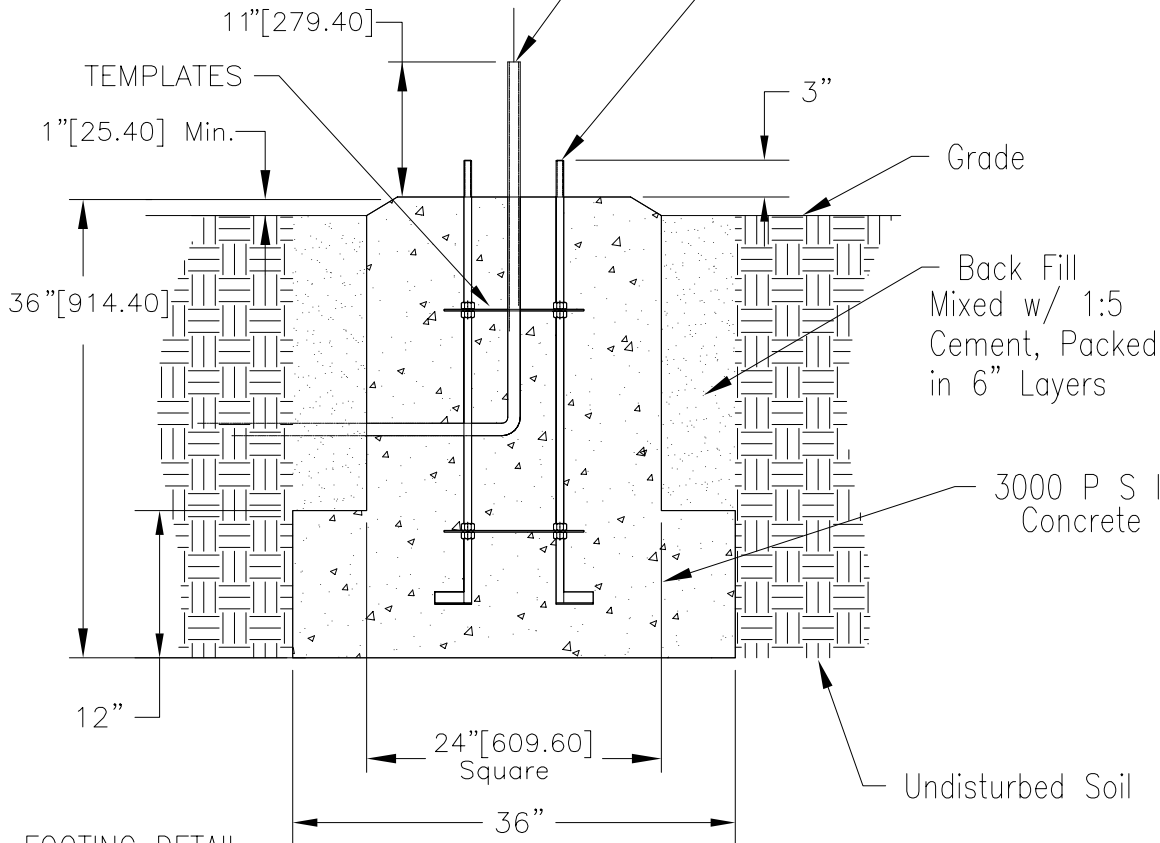


NOTE: 1ST PLATE TO BE 6" FROM BOTTOM AND 2ND PLATE 24" FROM BOTTOM. MAKE SURE ANCHOR RODS ARE 7-1/2" ON CENTER AND PERPENDICULAR TO GRADE AFTER POURING

If mounting indoors on existing concrete slab, use 5/8"x5"Lg Concrete Bolts, 2-3/4" min. embedded depth (McMaster Carr #92405A402)

Clock Face ← → Clock Face

(4) 5/8" [15.88] ∅ Rods  
36" [914.40] Long Steel



SIDE ELEVATION

FOOTING DETAIL

VIEW	PATH	D:\ACAD10\A-5095.DWG		
	TITLE	Small E. Howard Post Foundation Detail		
	SCALE	DATE	DRAWN	APP'V
	3/4" = 1'	4-29-94	RK	TDE
REVISIONS				
	Rev. A	10-12-94		
	Rev. B	10-10-95	DMC	
	Rev. C	10-10-96	DMC	
	Rev. D	3-22-02	WOR	
DRAWING		A-5095		