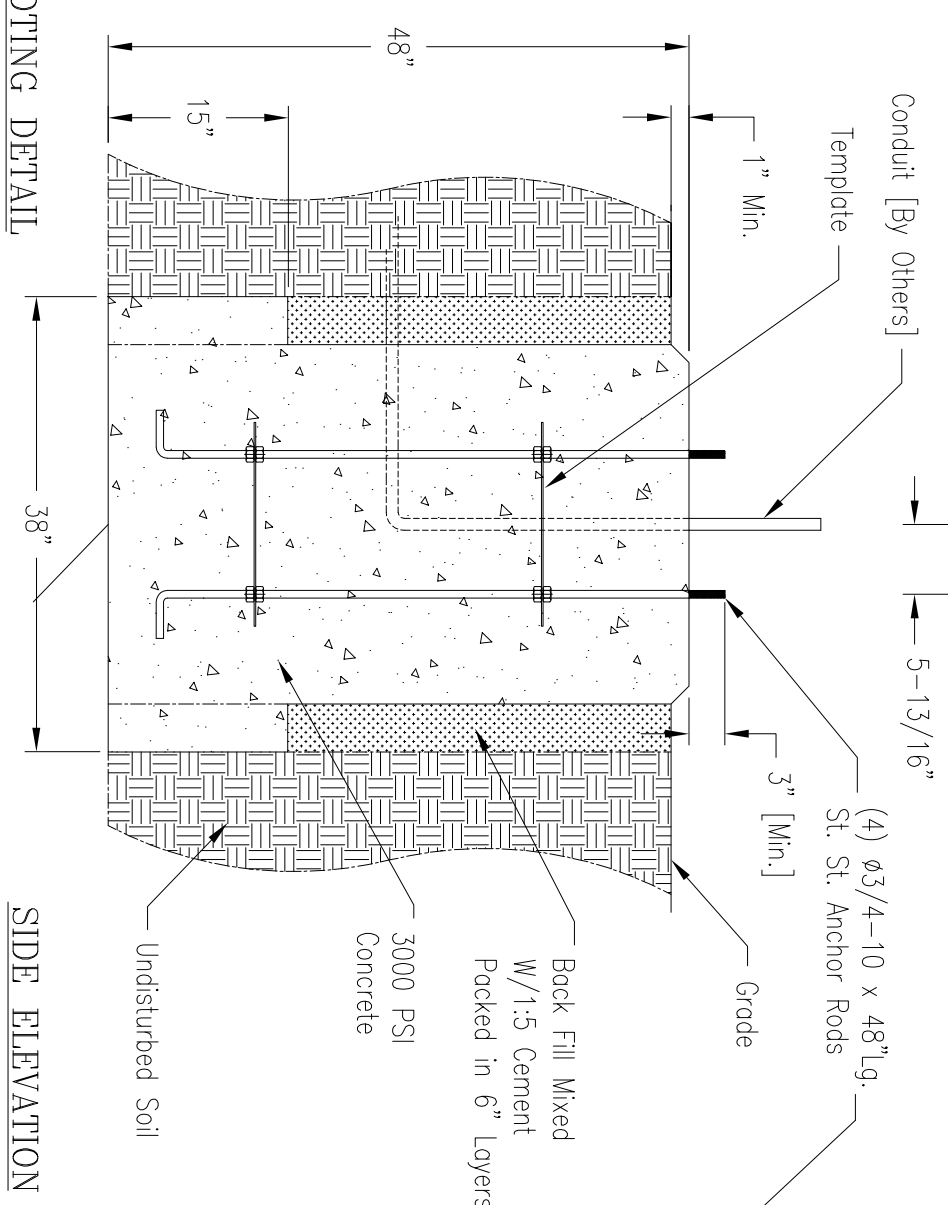


PLAN DETAIL

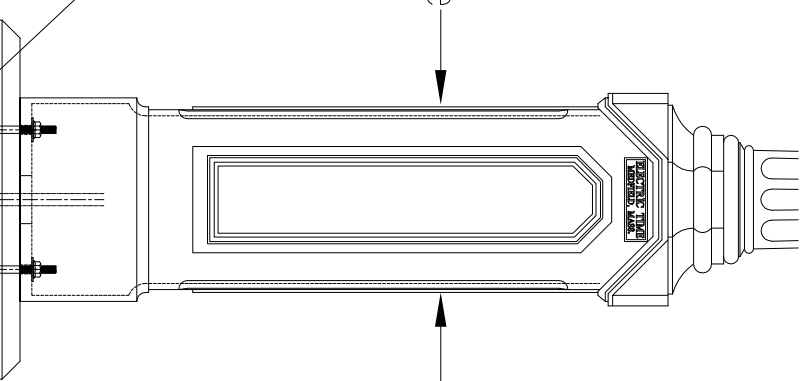


FOOTING DETAIL

SIDE ELEVATION

Clock Face

Clock Face



VIEW	LASER			
PATH	M:\ACAD10\A-6570.DWG			
TITLE	Large Howard Post Clock Foundation Details (Revised)			
REVISIONS	● SCALE	DATE	DRAWN	APP'V
	3/4"=1'	5-4-99	DMC	TDE
 company, inc medfield, ma				

DRAWING
A-6570