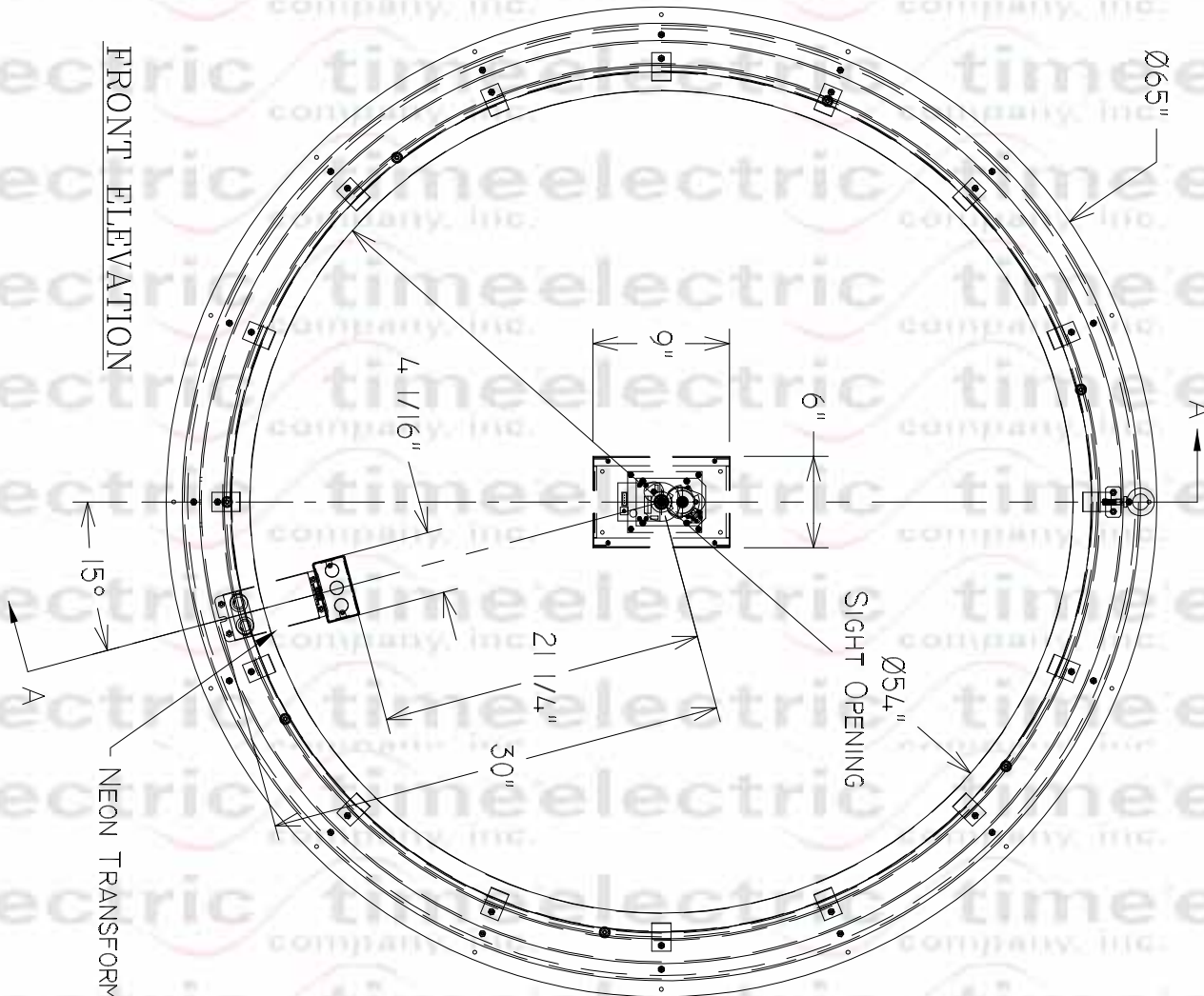


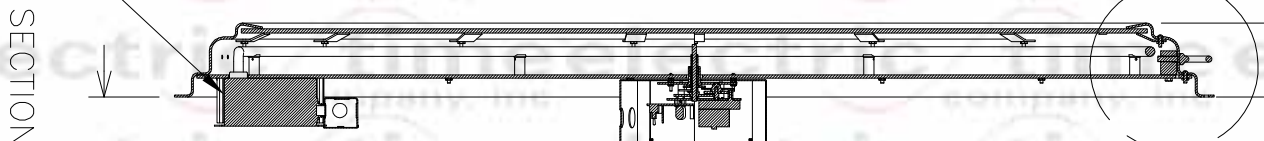
General Notes:

*Cut-out in Wall Required for Wall Box & Neon Transformer

FRONT ELEVATION



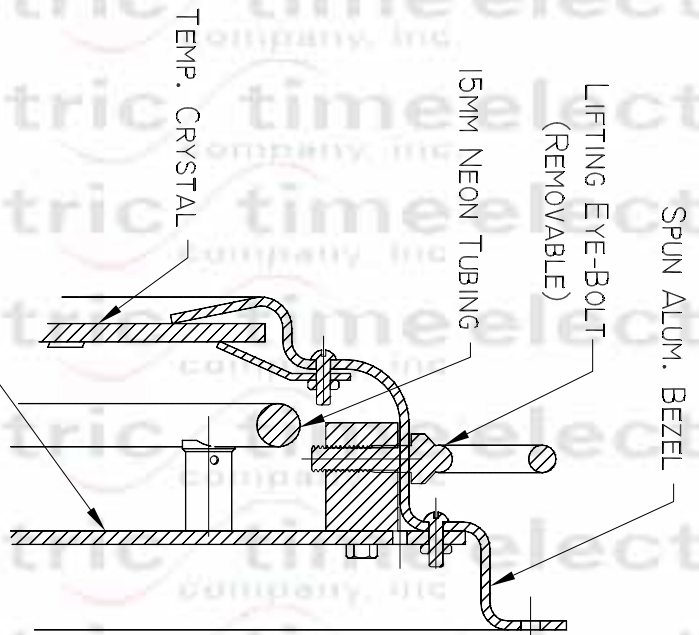
4 5/8" DEEP



SECTION A-A

3" DEPTH
(BEZEL TO BOX)

DETAIL A
SCALE N.C.S.



VIEW	LASER			
PATH	M:\MDT\DRAWING\A-7445.DWG			
TITLE	61A54 Elevation Details Style 61A54 Assembly			
REVISIONS	● SCALE	DATE	DRAWN	APP'V
	As Noted	3-12-01	DMC	TDE
DRAWING	A-7445			