

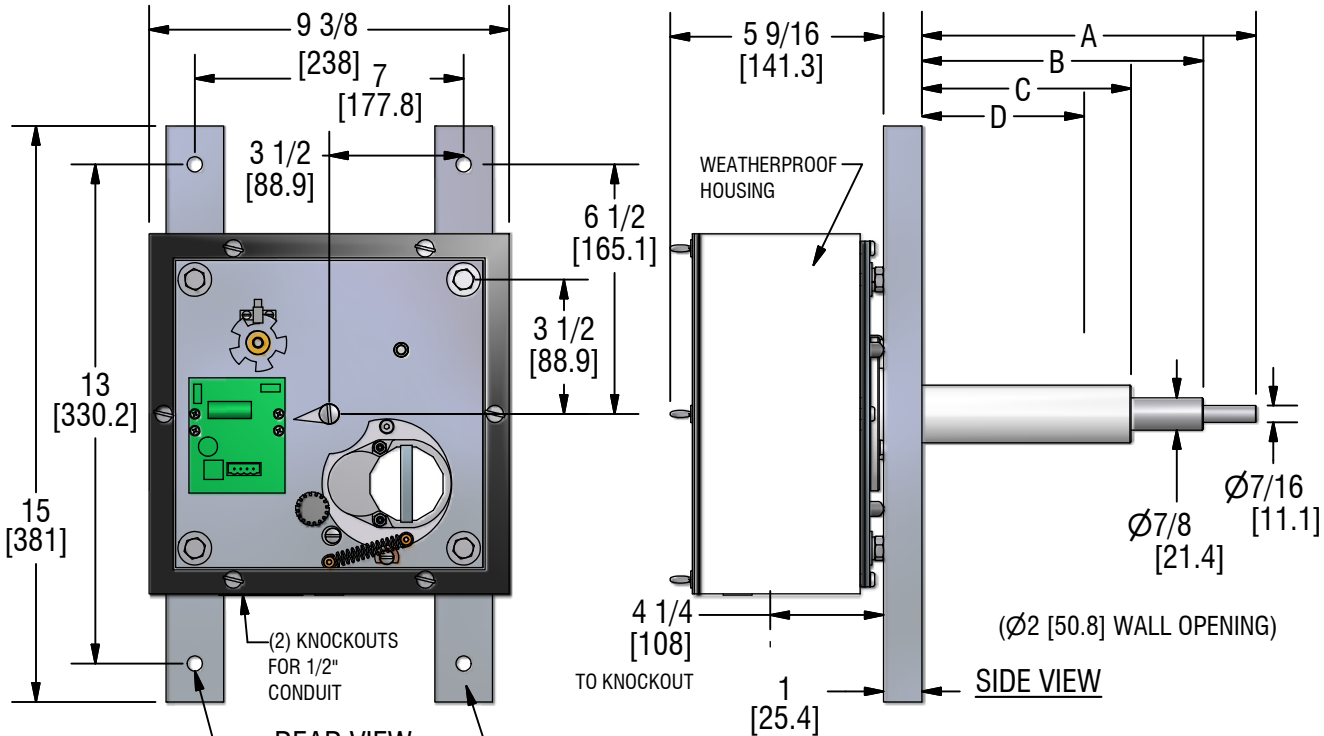
C1 STYLE MINUTE IMPULSE MOVEMENT

DS-42M

97 West Street, Medfield, MA 02052

p: 508.359.4396 f: 508.359.4482

www.electrictime.com



REAR VIEW
(LESS COVER)

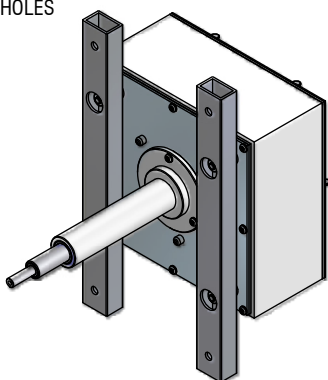
MECHANICAL SPECIFICATIONS

- UP TO $\varnothing 96"$ [2400] DIAL WITH UNPROTECTED HANDS
- UP TO $\varnothing 144"$ [3700] DIAL WITH PROTECTED HANDS
- CONSULT ELECTRIC TIME CO. FOR RECOMMENDED MOVEMENT AND HAND MOUNTING PROCEDURES

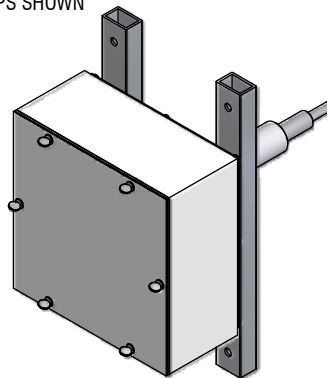
ELECTRICAL SPECIFICATIONS

- 24VAC 60Hz 250mA 6W (8SEC/MIN RUN TIME)
- ALTERNATING DRIVE SIGNAL MINUTE IMPULSE OPERATION (USING ELECTRIC TIME CO. 99B-MI CLOCK CONTROLLER)

NOTE: SPECIFICATIONS
SUBJECT TO CHANGE
WITHOUT NOTICE.



FRONT ISOMETRIC VIEW



REAR ISOMETRIC VIEW

PART NUMBER: MOV-T-C1MI-___

	A	B	C	D**	NET WEIGHT (lb)	SHIPPING WEIGHT (lb)
G1	5 3/16 [131.8]	3 13/16 [96.8]	1 15/16 [49.2]	1 1/4 [31.8]	16	25
G3	8 5/8 [219.1]	7 1/4 [184.2]	5 3/8 [136.5]	5 [127.0]	17	35
G8	15 3/4 [400.1]	14 7/16 [366.7]	12 9/16 [319.1]	12 [304.8]	20	55
G10*	19 5/8 [498.5]	18 5/16 [465.1]	16 7/16 [417.5]	15 [381.0]	21	55
G12	27 3/8 [695.3]	26 [660.4]	16 7/16 [417.5]	22 [558.8]	22	58

*FORMERLY G9 "C" WAS 12-3/16

**MAX DIAL + WALL THICKNESS

SWEEP SECOND HAND VERSION AVAILABLE, SEE DS-41

ALL DIMENSIONS: INCHES [MILLIMETERS]