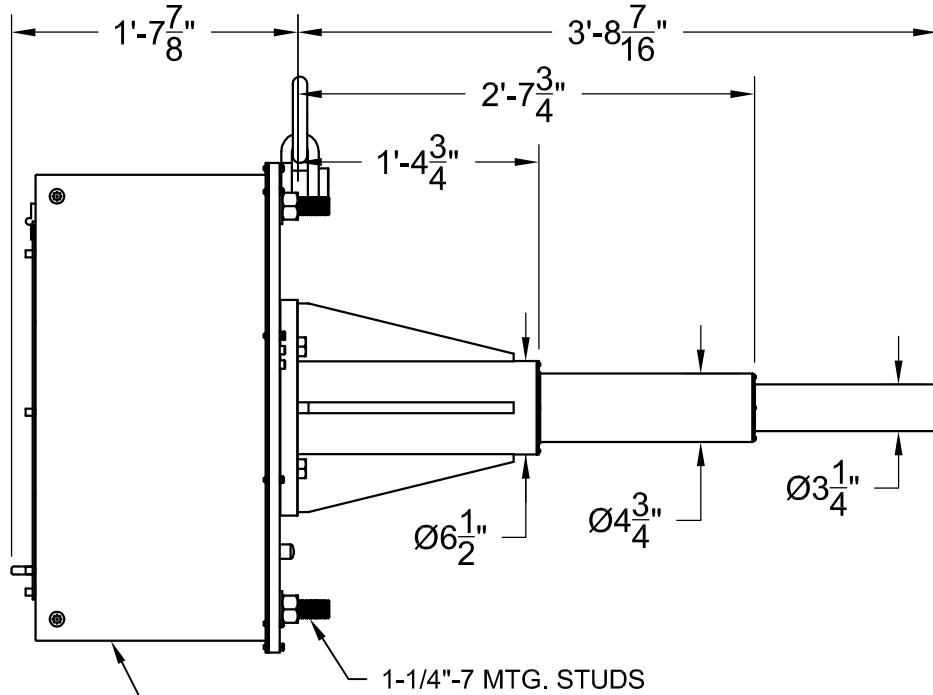
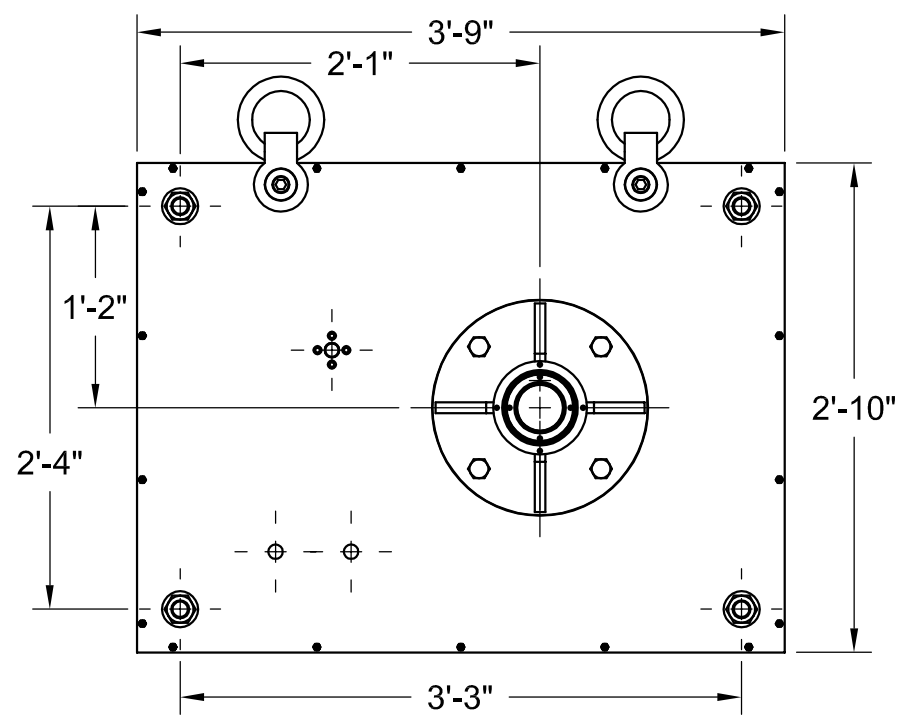


#7MI TOWER CLOCK MOVEMENT



CONNECTION POINTS FOR 1/2" CONDUIT PROVIDED IN HOUSING

SIDE VIEW



FRONT VIEW

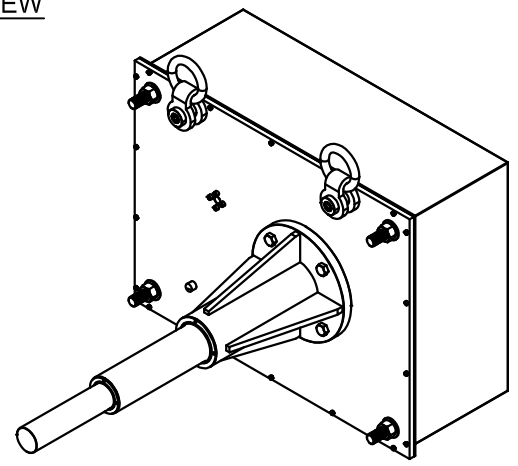
MECHANICAL SPECIFICATIONS

- 1) UP TO Ø40' DIAL*
- 2) CONSULT ELECTRIC TIME CO. FOR RECOMMENDED MOVEMENT & HAND MOUNTING PROCEDURES
- 3) MAINTENANCE FREE COMPOSITE BEARINGS
- 4) APPROXIMATE WEIGHT = 1700 LBS

ELECTRICAL SPECIFICATIONS

- 1) AC DRIVE MOTOR (115 VAC - 60Hz - 5A)
(8 SEC/MIN RUN TIME)
- 2) ALTERNATING DRIVE SIGNAL
MINUTE IMPULSE OPERATION
(USING ELECTRIC TIME CO.
99A-MI CLOCK CONTROLLER)

*MAX DIAL SIZE RATINGS ARE REDUCED FOR EXTREMELY LARGE HANDS. CONTACT FACTORY FOR SPECIFICATIONS & DESIGN ASSISTANCE.



FRONT ISO VIEW

Note: Specifications subject to change without notice.