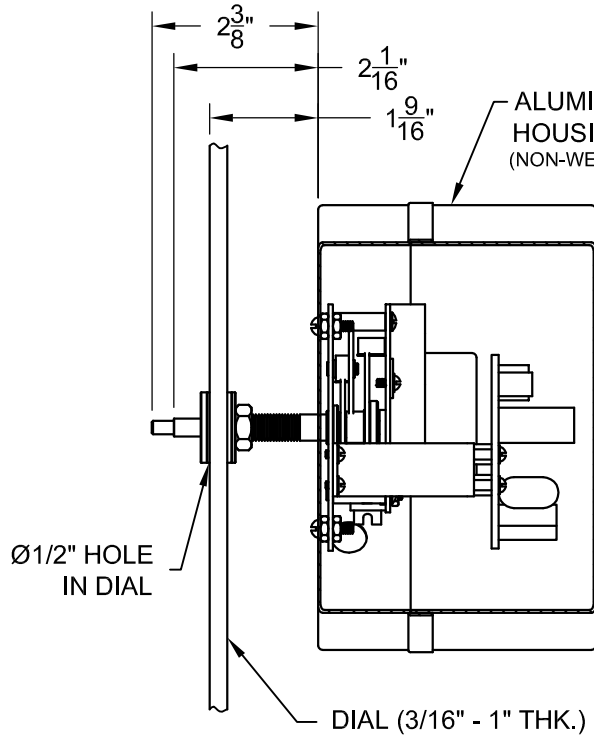
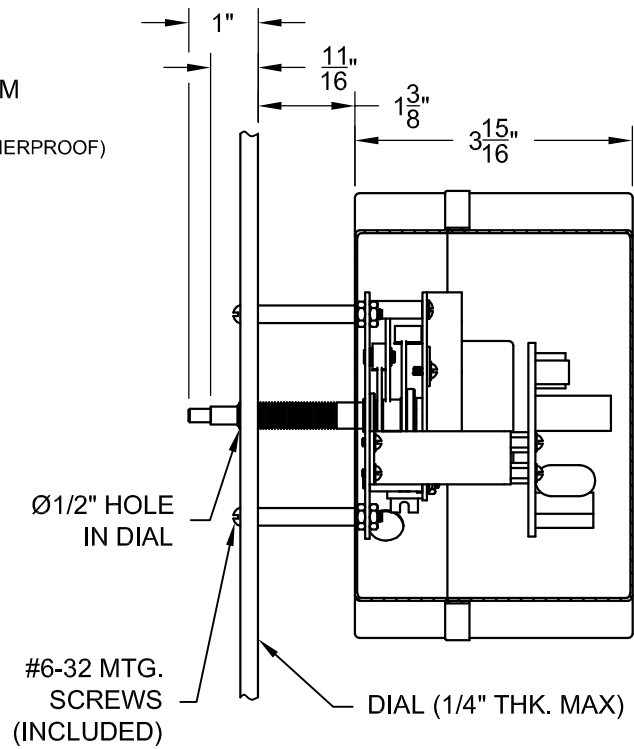


FOR INDOOR & OUTDOOR USE

SHMI MOVEMENT ASSEMBLIES



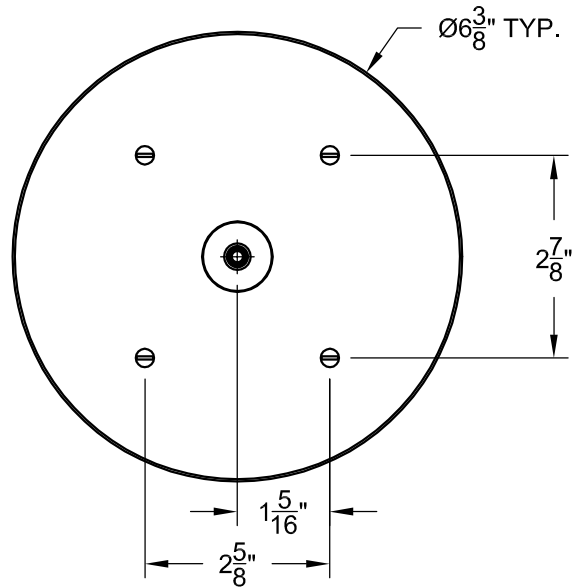
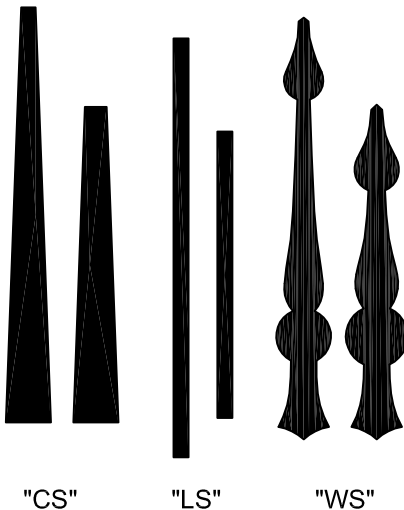
CENTER MOUNT
(CLOCKS UP TO Ø30")



4H MOUNT
(CLOCKS UP TO Ø30")

- 1) FOR INDOOR & OUTDOOR USE
- 2) MOV'T HOUSING NON-WEATHERPROOF
- 3) 99A-MI CLOCK CONTROLLER REQUIRED

STANDARD CLOCK HANDS
(MATTE BLACK POLYURETHANE FINISH)



PART NUMBER DESIGNATION

SHMI-XX-XX-XX

HAND STYLE ← ↓ → MOUNTING STYLE
CLOCK SIZE

Note: Specifications subject to change without notice.

EX. SHMI-WS-30-CMT = (WS HANDS, Ø30" CLOCK, CENTER MOUNT)