

**C1MI MOVEMENT**

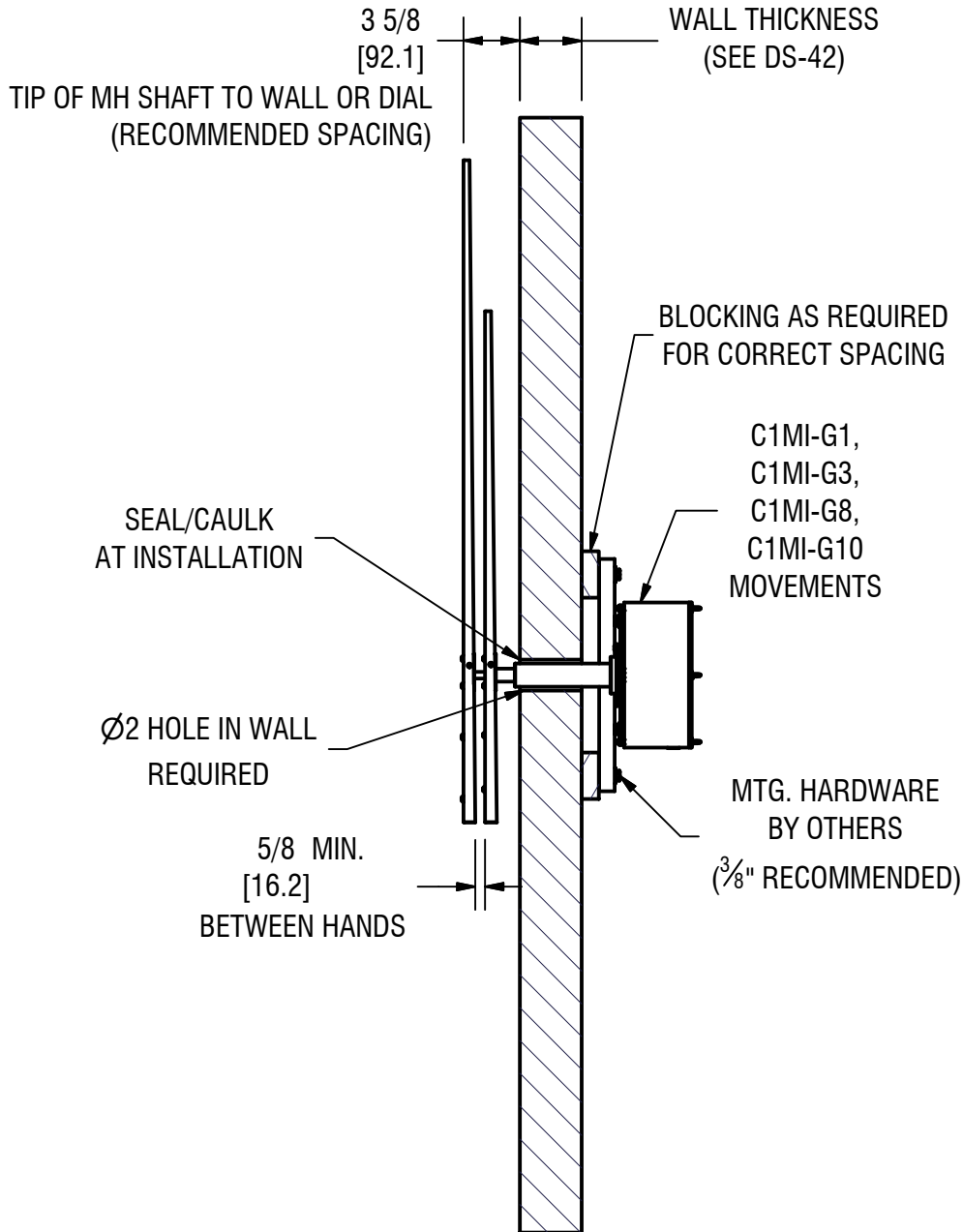
**DS-486A**

**INSTALLATION**

97 West Street, Medfield, MA 02052

**p: 508.359.4396 f: 508.359.4482**

**www.electrictime.com**



REFER TO DS-42 FOR COMPLETE MOVEMENT SPECIFICATIONS  
G12MI MOVEMENT INSTALLATION REFER TO DS-533  
ALL DIMENSIONS: INCHES [MILLIMETERS]

Note: Specifications subject to change without notice