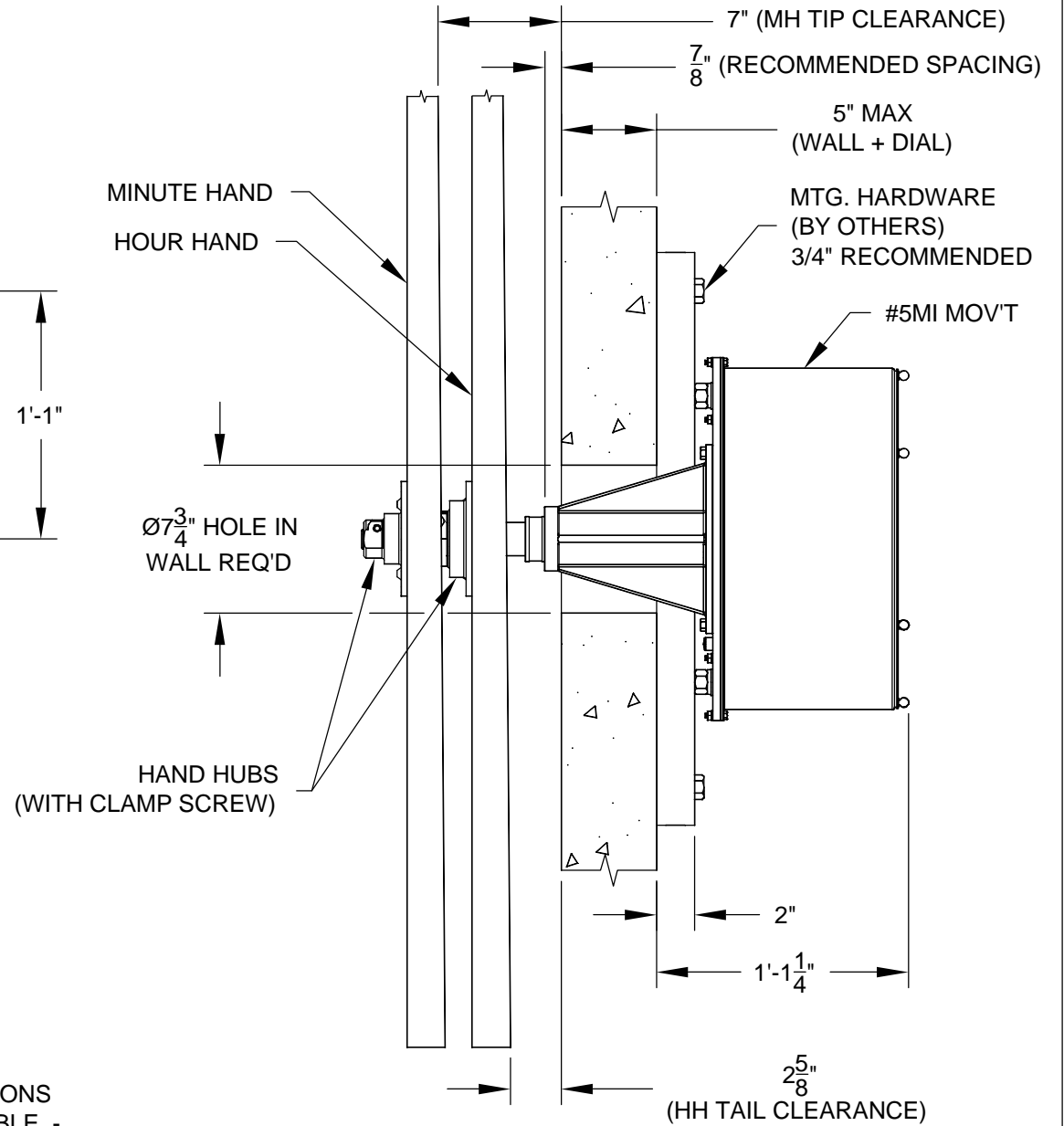
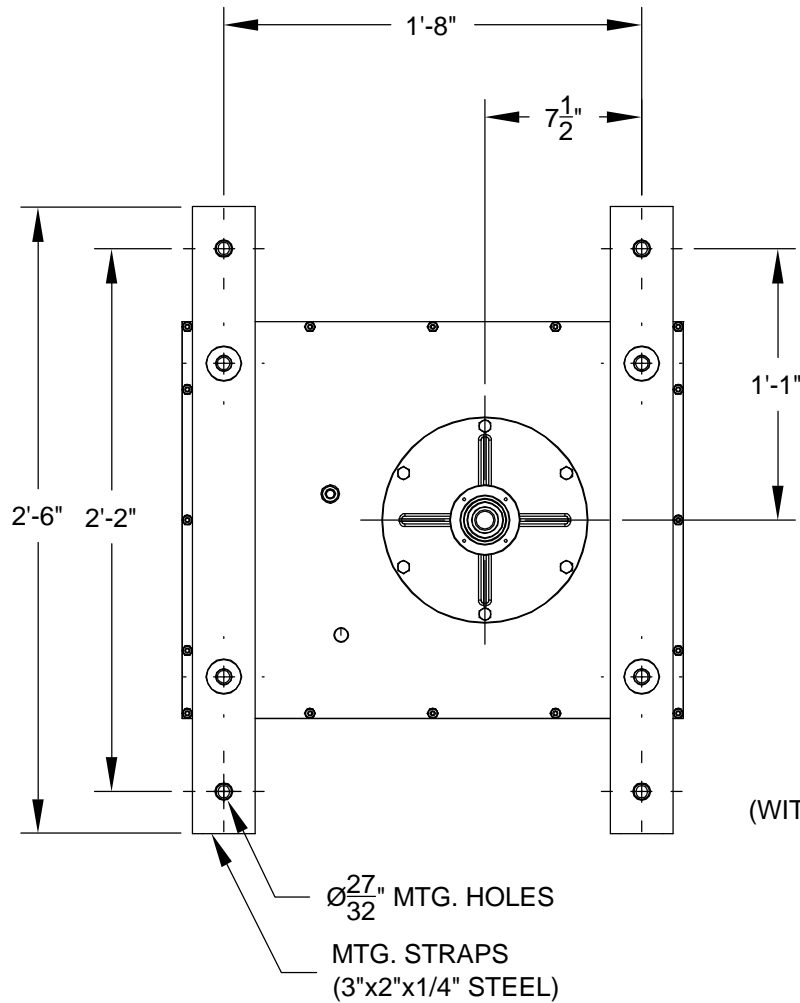


#5MI MOVEMENT INSTALLATION



NOTES:

- 1) REF. DS-44B FOR COMPLETE MOVEMENT SPECIFICATIONS
- 2) OPTIONAL COVER PLATE FOR WALL OPENING AVAILABLE - SPECIFY WHEN ORDERING
- 3) TYPICAL HAND CLEARANCES SHOWN - DESIGN DIAL MARKINGS ACCORDINGLY

Note: Specifications subject to change without notice.