

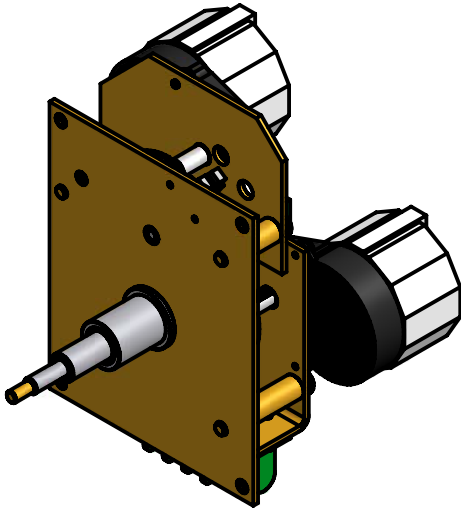
B28 MINUTE IMPULSE STYLE SWEEP SECOND MOVEMENT

DS-6B

45 West Street, Medfield, MA 02052

p: 508.359.4396 f: 508.359.4482

www.electrictime.com



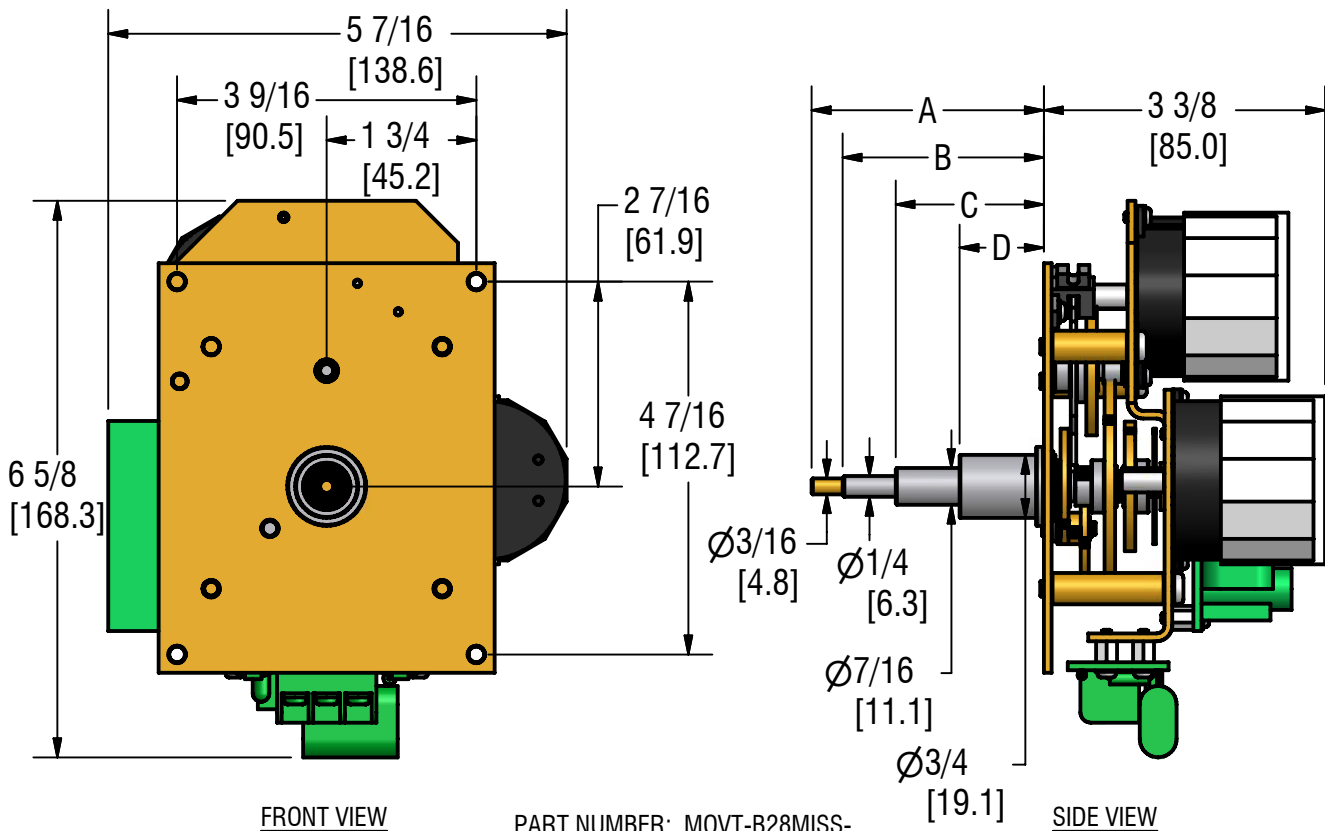
MECHANICAL SPECIFICATIONS

- UP TO $\phi 48''$ [1200] DIAL WITH UNPROTECTED HANDS (INDOORS ONLY)
- UP TO $\phi 60''$ [1500] DIAL WITH PROTECTED HANDS
- CONSULT ELECTRIC TIME CO. FOR RECOMMENDED MOVEMENT AND HAND MOUNTING PROCEDURES
- APPROXIMATE WEIGHT = 3LB

ELECTRICAL SPECIFICATIONS

- 24VAC-50/60 Hz-200mA-5W (MI MOTOR: 8sec/min RUN TIME; SS MOTOR: CONTINUOUS)
- ALTERNATING DRIVE SIGNAL MINUTE IMPULSE OPERATION (USING ELECTRIC TIME CO. 99B-MI CLOCK CONTROLLER)
- STEPPING SWEEP SECOND HAND OPTION AVAILABLE

FRONT ISOMETRIC VIEW



PART NUMBER: MOVT-B28MISS-

	A	B	C	D
G1	$2 \frac{3}{4}$ [69.9]	$2 \frac{3}{8}$ [60.3]	$1 \frac{3}{4}$ [44.5]	1 [25.4]
G7	$3 \frac{5}{8}$ [92.1]	$3 \frac{1}{4}$ [82.6]	$2 \frac{3}{4}$ [69.9]	$2 \frac{1}{4}$ [57.2]
G8	$6 \frac{3}{8}$ [161.9]	6 [152.4]	$5 \frac{1}{4}$ [133.4]	$2 \frac{1}{4}$ [57.2]

ALL DIMENSIONS: INCHES [MILLIMETERS]

Note: Specifications subject to change without notice