

## SB28MI MOVEMENT ASSEMBLIES

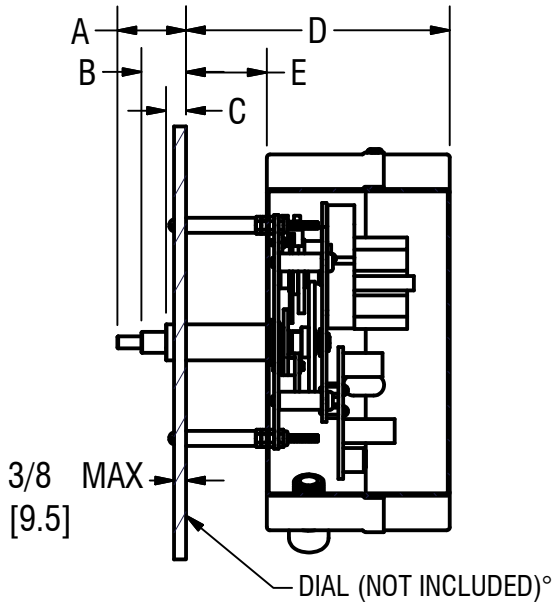
DS-8B

### 4-HOLE MOUNT

97 West Street, Medfield, MA 02052

p: 508.359.4396 f: 508.359.4482

[www.electrictime.com](http://www.electrictime.com)

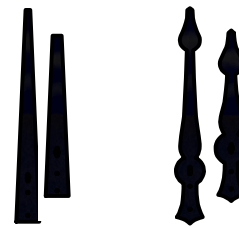
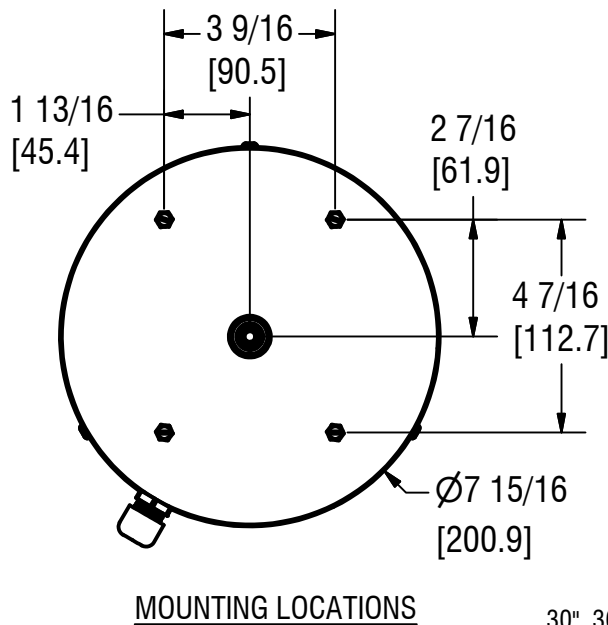


#### SPECIFICATIONS:

- INDOOR AND OUTDOOR USE
- MOVEMENT HOUSING NON-WEATHERPROOF
- UP TO Ø48" [1200] DIAL WITH UNPROTECTED HANDS
- UP TO Ø60" [1500] DIAL WITH PROTECTED HANDS
- 99B-MI CLOCK CONTROLLER REQUIRED FOR MINUTE IMPULSE OPERATION
- SEE DS-5 FOR MOVEMENT DETAILS
- OPTIONAL 115VAC MANUAL SET VERSIONS AVAILABLE
- OTHER HAND STYLES REQUIRE ADDITIONAL LEAD-TIME

## QUICK-SHIP

SB28MI ASSEMBLIES  
(FOR Ø30", Ø36", Ø42", Ø48" CLOCKS)



"CS"

"WS"

STANDARD CLOCK HANDS  
(MATTE BLACK POLYURETHANE FINISH)

#### PART NUMBER

SB28MI-XX-XX-4H-XX

HAND STYLE  
("CS" OR "WS")

CLOCK DIAMETER  
30", 36", 42", 48", \*54", \*60"

EXAMPLE: SB28MI-WS48-4H-G7

(G7 CLOCK MOVEMENT AND WS HANDS FOR Ø48" CLOCK)

MOVT	A	B	C	D	E
G1	2 1/4 [ 57.2 ]	1 5/8 [ 41.3 ]	3/8 [ 9.5 ]	4 5/16 [ 109.5 ]	1/2 [ 12.7 ]
G7	1 9/16 [ 39.7 ]	1 1/16 [ 27.0 ]	1/2 [ 12.7 ]	5 3/8 [ 136.5 ]	1 9/16 [ 39.7 ]
G8	4 5/16 [ 109.5 ]	3 13/16 [ 96.8 ]	1/2 [ 12.7 ]	8 1/8 [ 206.4 ]	4 5/16 [ 109.5 ]

Note: Specifications subject to change without notice

\* QUICK-SHIP NOT AVAILABLE  
ALL DIMENSIONS: INCHES [MILLIMETERS]