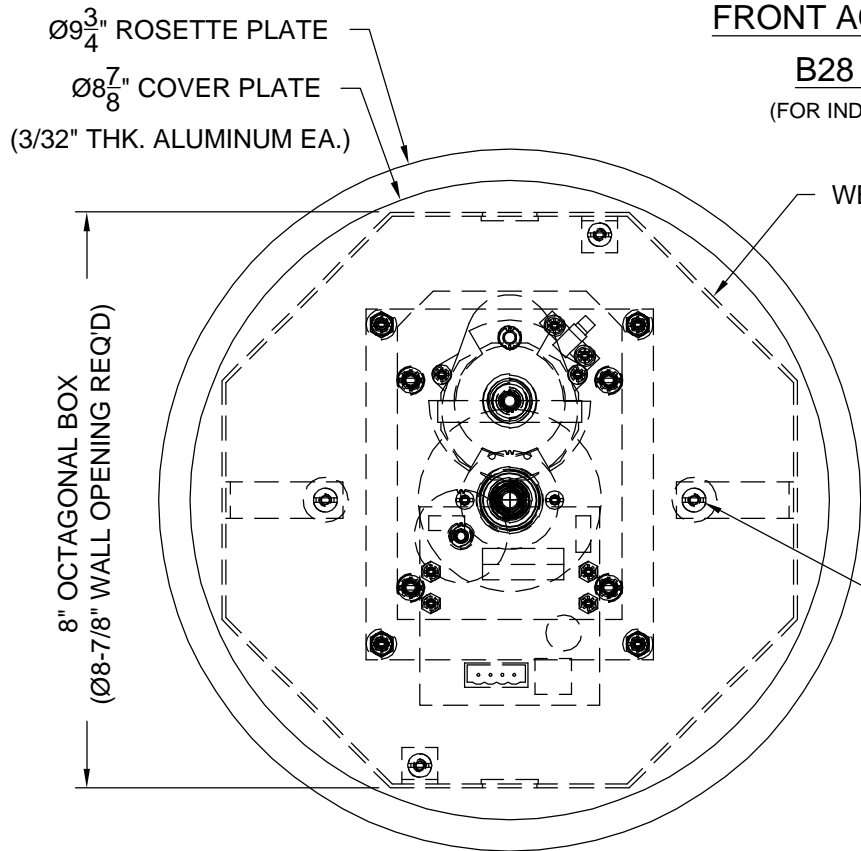


FRONT ACCESS MOUNTING

B28 MOVEMENTS

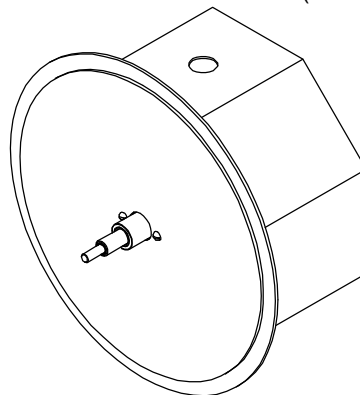
(FOR INDOOR & OUTDOOR USE)



FRONT VIEW

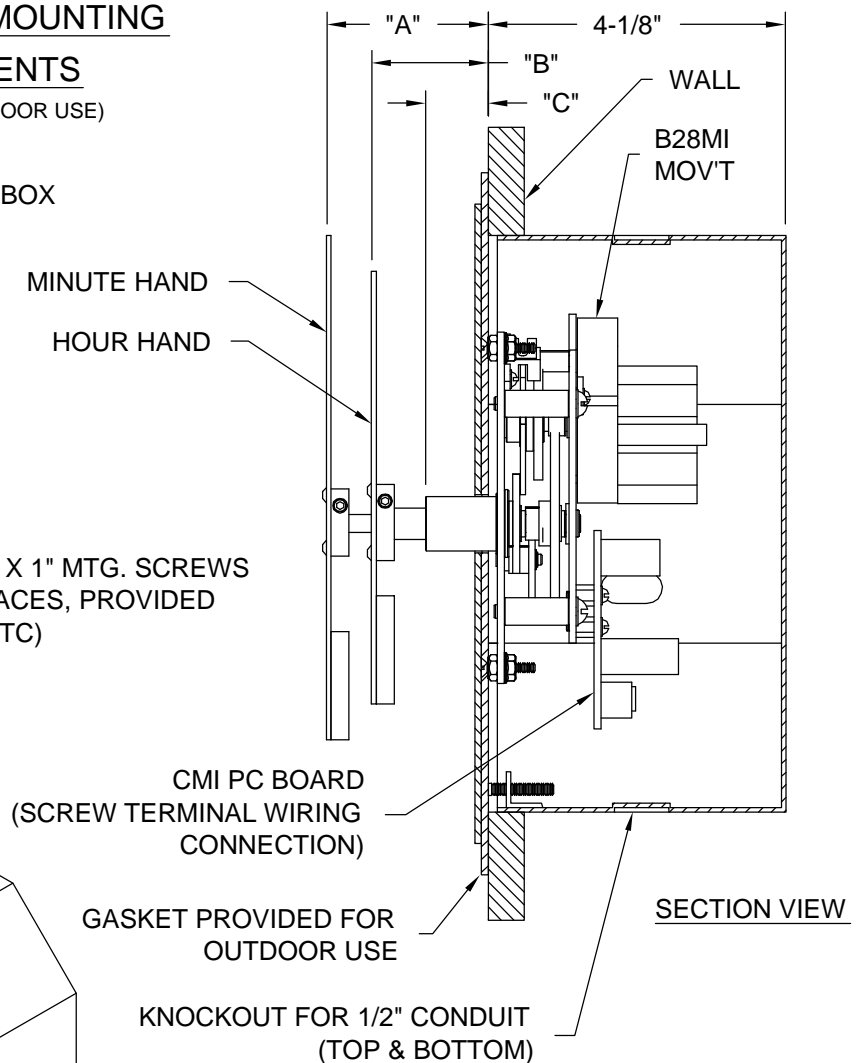
INSTALLATION SPECIFICATIONS

- 1) MOUNT WB-26 WALL BOX INTO WALL OPENING USING SCREWS / BLOCKING ETC. (HARDWARE PROVIDED BY OTHERS)
- 2) MOUNT ROSETTE PLATE WITH MOVEMENT TO WALL BOX USING SCREWS PROVIDED
- 3) MOUNT COVER PLATE TO ROSETTE PLATE USING SCREWS PROVIDED
- 4) REF. DS-5 FOR MOVEMENT SPECIFICATIONS



ISOMETRIC VIEW

Note: Specifications subject to change without notice.



SECTION VIEW

B28G1-MI	2-1/4"	1-5/8"	7/8"
B28G7-MI	3-1/8"	2-5/8"	2-1/8"
B28G8-MI	5-7/8"	5-3/8"	2-1/8"
MOV'T	"A"	"B"	"C"